



INSTRUCTION MANUAL

EHU-2 & EHU-3



VESTIL MANUFACTURING CORP.

2999 NORTH WAYNE STREET, P.O. BOX 507, ANGOLA, IN 46703

TELEPHONE: (260) 665-7586 -OR- TOLL FREE (800) 348-0868

FAX: (260) 665-1339

URL: WWW.VESTILMFG.COM EMAIL: SALES@VESTIL.COM

THANK YOU VERY MUCH FOR SELECTING OUR PRODUCT. THIS INSTRUCTION MANUAL DESCRIBES CORRECT OPERATING METHOD TO ENSURE PROLONGED SERVICE LIFE. PLEASE READ AND COMPLETELY UNDERSTAND THIS MANUAL BEFORE OPERATING THE LOW PROFILE LIFT TABLE. ALWAYS KEEP THIS MANUAL AT AN APPROPRIATE PLACE. IF THE MANUAL OR WARNING DECAL IS MISSING, PLEASE CONTACT WITH DEALER.

Note: This manual has been prepared for skilled and competent personal. It provides instructions for using the product correctly and parts list. This Manual cannot replace the professional skills and expertise of the user.

1.



WARNING! If operating the lift table improperly, a person may be seriously! Injured. Therefore, operate properly according to the following instruction

- ◇ Read & thoroughly understand the instruction manual completely before using. Follow all safety instructions strictly.
- ◇ It is necessary to check all safety devices before operation.
- ◇ Make sure that there are no obstacles in the working area.
- ◇ Do not put foot or hand in scissors mechanism or through frame.
- ◇ Screw the lifting eyes on the base frame before working on the lift table.
- ◇ Do not overload the lift table. Load should be distributed on the table according to relevant load distribution chart.
- ◇ Pay attention if local voltage and frequency is as same as the input specification of the lift table.
- ◇ Use the lift table on flat and solid ground.
- ◇ All the electrical connection and disconnection operations must be carried out by skilled and competent personal.
- ◇ While operation, it is forbidden to contact the moving parts of the lift table.
- ◇ While the lift table moving, it is forbidden to adjust or to move the load
- ◇ It is forbidden to lift the load, which perhaps does harm to a person or other object.

- ◇ It is forbidden to operate the lift table while a person is under the table.
- ◇ Do not adjust the safety valve of hydraulic power pack.
- ◇ It is forbidden to operate the lift table even if there is underf the table.
- ◇ Do not adjust the safety valve of hydraulic power pack.
- ◇ It is forbidden to operate the lift table even if there is small structure distortion.
- ◇ Do not use in an explosive or flammable place.

2.



CAUTION! Operating the lift table improperly can cause accident. Operate properly according to the following instruction.

- ◇ The lift table is just for raise and lower purpose. Do not use it for any other purpose.
- ◇ Do not allow a person to operate the lift table, who does not understand its operation.
- ◇ It is forbidden to change the lift table without manufacture's written admission.
- ◇ It is necessary to use the spare parts designated by manufacturer.
- ◇ Make sure to keep a distance between the table and ambient objects enough to operate the lift table safety.
- ◇ Keep the hydraulic system under clean and safe condition.
- ◇ The hydraulic power pack features an electric lowering control those coils. The coils must be fed with the power supply voltage should not exceed $\pm 10\%$ of the rated required voltage.
- ◇ Always do maintenance and routine check while the lift table is unloaded.
- ◇ The lift table is not waterproof and should be used in a dry environment.

3. DAILY INSPECTION

Daily inspection is effective to find the malfunction or fault on the lift table. Before operation, check the lift table according to the following points.



CAUTION! *Do not use the lift table if any malfunction or fault is found.*

- ◇ Check all the terms of WARNING and CAUTION.
- ◇ Check scratches, bending or crack on the lift table.
- ◇ Check smooth movement of the table.
- ◇ Check if there is any hydraulic oil leakage.
- ◇ Check the vertical creep of the table.
- ◇ Check if all the bolts and nuts are firmly tightened.

4. Operating the lift table

■ LOADING

The maximum capacity of the lift table is 2,000/3,000 lbs load should be distributed on the lift table equably.

■ Lifting the Table



CAUTION! *Do not overload the lift table. Ensure the balance of loading. Do not load partially or concentrically*

- ◇ Screw and loose emergency stop switch.
- ◇ Push the UP button and power pack starts to work to lift the load.

- ◇ Loose the UP button and power pack stops working.

■ Lowering the Table



WARNING! *Do not put foot or hand in scissors mechanism.*

- ◇ Push the DOWN button and the table will lower.
- ◇ Loose the DOWN button and the table will stop.

NOTE

- ◇ The table is equipped with an aluminum guard to avoid accidental danger.
- ◇ If aluminum guard strikes an object while the table lowers, stop operation and check the lift table. After making sure no any abnormality, strike the UP button slightly and then the electric system will function as before.
- ◇ Emergency stop
 - ◇ There are two methods of emergency stop as follows.
 - ◇ Push down the emergency stop switch and the movement of table stops.
 - ◇ Strike aluminum guard upward and the movement of table also stops.

■ Transportation

If necessary, the lift table can be transported with attached ringbolts.

- ◇ Pay attention to the maximum capacity of lifting equipment to be used.
- ◇ Keep the ringbolts with reasonableness.

5. HYDRAULIC CIRCUIT & ELECTRIC

PRINCIPLE DIAGRAM

See Figure 1 & Figure 2

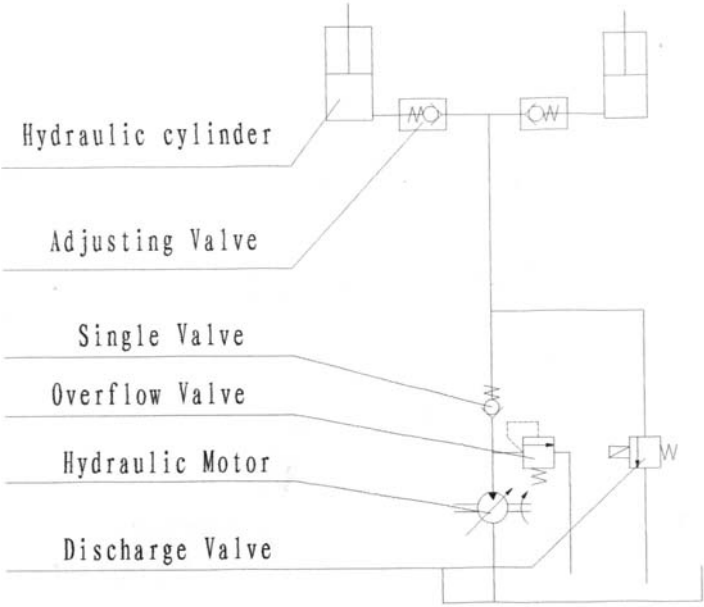
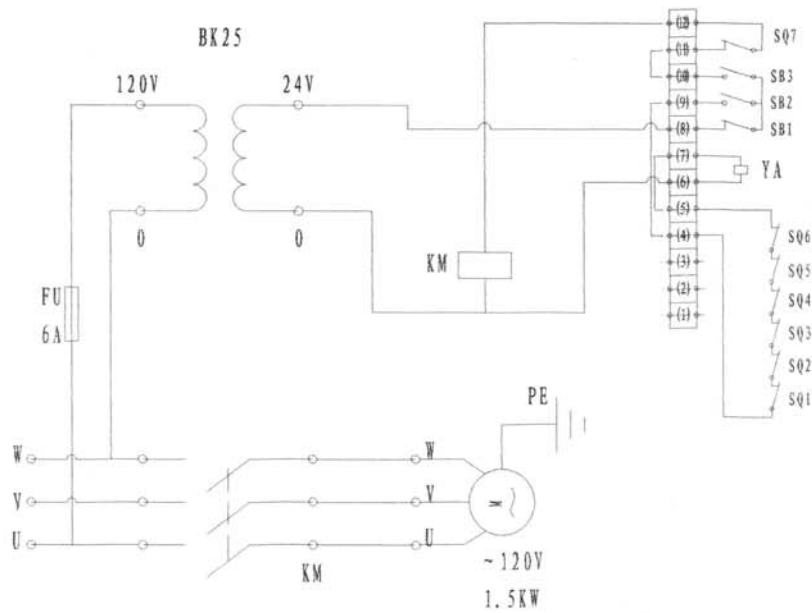


Fig. 1 Hydraulic circuit

ELECTRIC PRINCIPLE DIAGRAM



No.	Description	Specification	Q'ty	Marks
BK	Power Transformer	25W (120V-24V)	1	
FU	Fuse	RT14-20 (6A)	1	
KM	Connect	CJX2-1201/24V	1	
M	Hydraulic Power Pack	120V/1.5kw	1	
PE	Ground Wire		1	
SQ1-6	Control Switch-down	TZ-8104	6	
SQ7	Control Switch-up		1	
YA	Fuse-down	AC24V	1	
SB1	Emergency Button		1	
SB2	Button - up		1	
SB3	Button -down		1	

Fig. 2 Electric Principle Diagram

6. Specification

Model		EHU-2	EHU-3
Capacity (lbs)		2,000	3,000
Min. Height (inch)		3½	4¼
Max. Height (inch)		33½	33½
Platform Outside Dimensions Law (inch)		55¾ x 52¾	63 x 53½
Platform Inside Dimensions LxW (inch)		41¼ x 29⅞	44¼ x 29⅞
Base Outside Dimensions LxW (inch)		52¼ x 50⅝”	54¼ x 50⅝”
Base Inside Dimensions LxW (inch)		42⅞ x 34⅞	44 x 34½
Raise Time (secs)	Unloaded	16.2	21.5
	Loaded	16.8	22.8
Down Time (secs)	Unloaded	22.9	31.3
	Loaded	22.7	31.2
Motor	Output (w)	1500	1500
	Voltage (v)	AC110V 60HZ	
	Revolution (r/min)	1.66cc/rev	3.3cc/rev
	Protection Class	IP.54	
	Insulation Class	F.	
Net Weight (lbs)		630	850

7. SERVICE INSTRUCTIONS

- Do routine check of fasteners, packing and oil leaking.
- Do routine check of the function of the lift table.
- Before service the lift table, make sure to turn off the AC power supply.
- After service it is necessary to check the function of the lift table again.
- ONLY a qualified personnel can do service work.
- Do routine check of the micro-switches on the safety guard.
- Do routine check of the hydraulic system by listening its noise, touch motor's surface.
- Caution: It is necessary to turn off the AC power supply before touch motor's surface.
- Pay attention to clear or even replace the oil filter after operating for a long time.
- Appropriate lubrication is necessary to make the lift table work easily and have a prolonged service lift.
- Following table is recommended to service the lift table periodically.

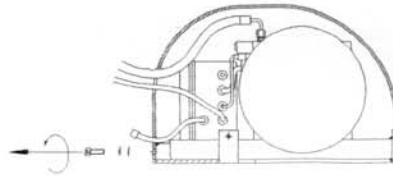
Content	After every 500 hour' working or every 3 months later	After every 2000 hours working or every year
Check oil level of oil tank	☆	
Check the cleanliness of oil filter	☆	
Fasten all the connecting parts again	☆	
Check wear and tear of pressure oil pipes	☆	
Check hydraulic cylinder	☆	
Fix main parts tightly again	☆	
Check the function of micro-switches	☆	
Check whole working state of the lift table	☆	
Lubricate all the joints and pivot points	☆	
Check wear and tear of all axial bushes		☆
Replace hydraulic oil for the first time	Accumulated working ten hours'	
Replace hydraulic oil		☆
Check oil leaking		☆
<i>Remark: ☆ stands for proceeding the item.</i>		

8. TROUBLE SHOOTING

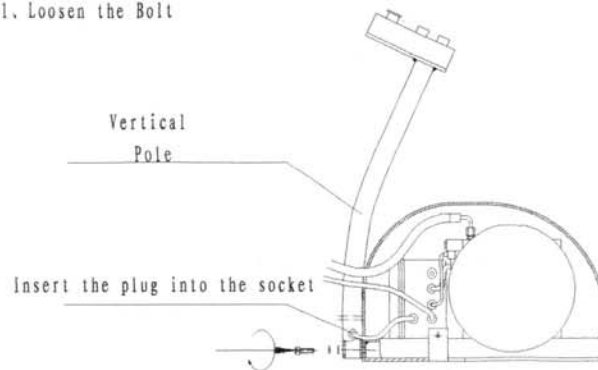
Note: Before service it is necessary to screw two eyebolts into relevant screw-holes on the basis lest the table lowers accidentally.

Trouble	Cause	Remedy
Table cannot lift while motor works normally	<ul style="list-style-type: none"> ◇ Eyebolt has not been removed ◇ AC Voltage phrases mistake ◇ Electromagnetic dysfunctions ◇ The table is overloaded 	<ul style="list-style-type: none"> ◇ Remove eyebolt ◇ Correct AC voltage phrase electromagnetic valve and repair it ◇ Remove excessive load
Table cannot lift and motor does not work	<ul style="list-style-type: none"> ◇ Lowering limit switch (if switched) damaged 	<ul style="list-style-type: none"> ◇ Replace limit switch
Table cannot lower	<ul style="list-style-type: none"> ◇ Lowering limit switch or micro-switch on safety guard damaged ◇ Electromagnetic valve dysfunctions ◇ Safety guard works ◇ Something wrong with electric circuit board 	<ul style="list-style-type: none"> ◇ Replace lowering limit switch or micro-switch. ◇ Check the function of electromagnetic valve and repair it ◇ Strike the UP button slightly ◇ Replace electric circuit board
Table's legs go over limit position (if existed) while table lowers	<ul style="list-style-type: none"> ◇ Internal leaking in electromagnetic valve ◇ Packing damaged in hydraulic cylinder 	<ul style="list-style-type: none"> ◇ Repair electromagnetic valve and if necessary replace it ◇ Check and replace packing
Table cannot reach the highest position	<ul style="list-style-type: none"> ◇ Oil not enough ◇ Limit switch damaged 	<ul style="list-style-type: none"> ◇ Fill enough oil ◇ Check and repair limit switch. If necessary, replace it

Instruction for Power Pack Installation

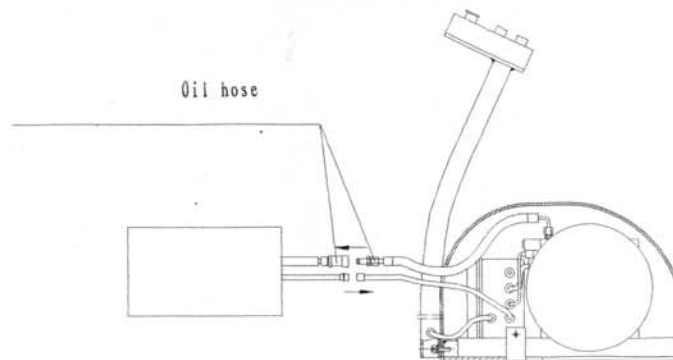


1. Loosen the Bolt



2. a) Install the vertical pole and fix them by tightening the screw showed in the figure.

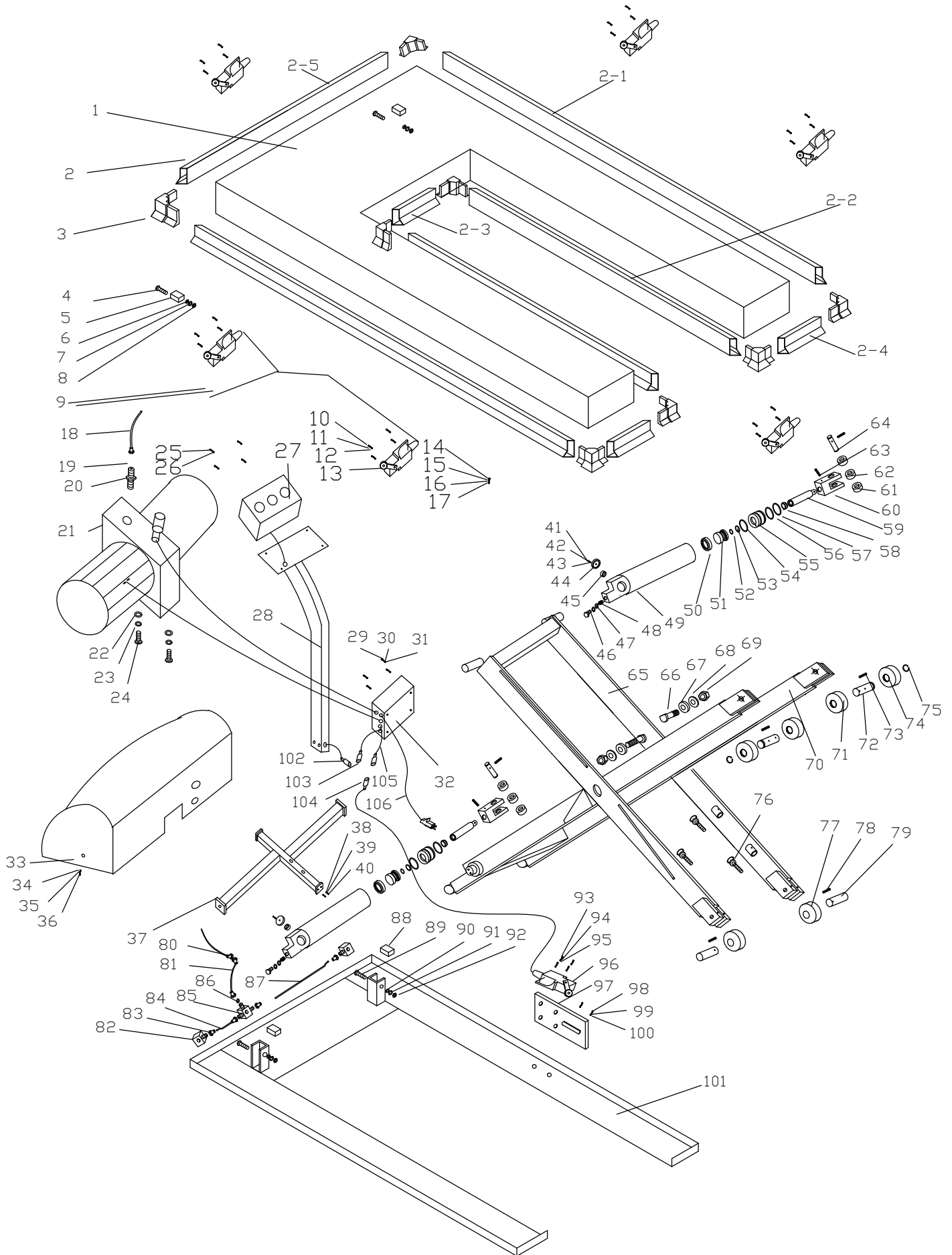
b) Insert the plug of power and the plug of the handle each other.



3. a) Join the oil juse of control box and the one of the lift table.

b) Join the plug of the control box with the lift table.

EHU-2/3 "U" Type Electric Lift Table



EHU-2 ELECTRIC LIFT TABLE PARTS LIST

Part #	Description	Qty.	Part #	Description	Qty.	Part #	Description	Qty.
EHU-2-1	Deck	1	EHU-2-37	Bracket	1	EHU-2-73	Spring Pin	4
EHU-2-2	Guard, Toe	8	EHU-2-38	Washer, Flat	2	EHU-2-74	Roller, Guide	2
EHU-2-3	Corner	8	EHU-2-39	Washer, Lock	2	EHU-2-75	Ring, Retaining	2
EHU-2-4	Screw, Phillips Head Machine	2	EHU-2-40	Bolt, Hex Head	2	EHU-2-76	Bolts, Eye	3
EHU-2-5	Washer	2	EHU-2-41	Bolt, Hex Head	2	EHU-2-77	Roller, Guide	3
EHU-2-6	Washer, Flat	2	EHU-2-42	Washer, Lock	2	EHU-2-78	Spring Pin	3
EHU-2-7	Washer, Lock	2	EHU-2-43	Washer, Flat	2	EHU-2-79	Shaft	3
EHU-2-8	Nut, Nylon Lock	2	EHU-2-44	Big Washer	2	EHU-2-80	Connector, Threaded	1
EHU-2-9	Wiring	1	EHU-2-45	Bearing	2	EHU-2-81	Hose, Oil	1
EHU-2-10	Screw, Phillips Head Machine	24	EHU-2-46	Connector, Threaded	2	EHU-2-82	Fitting, Threaded	2
EHU-2-11	Washer, Flat	24	EHU-2-47	Washer	4	EHU-2-83	Connector, Threaded	4
EHU-2-12	Washer, Lock	24	EHU-2-48	Valve, Velocity	2	EHU-2-84	Pipe, Oil - Steel	1
EHU-2-13	Switch, Limit	6	EHU-2-49	Cylinder	2	EHU-2-85	Fitting, Threaded	1
EHU-2-14	Washer	8	EHU-2-50	Oil Seal	2	EHU-2-86	O-Ring	1
EHU-2-15	Washer, Flat	8	EHU-2-51	Piston	2	EHU-2-87	Pipe, Oil - Steel	1
EHU-2-16	Washer, Spring	8	EHU-2-52	C-Ring	2	EHU-2-88	Spacer, Nylon	2
EHU-2-17	Bolt, Hex Head	8	EHU-2-53	O-Ring	2	EHU-2-89	Bolt, Hex Head	2
EHU-2-18	Hose, Oil	1	EHU-2-54	O-Ring	2	EHU-2-90	Washer, Flat	2
EHU-2-19	O-Ring	1	EHU-2-55	Top Nut	2	EHU-2-91	Washer, Lock	2
EHU-2-20	Connector, Threaded	1	EHU-2-56	Steel Washer	2	EHU-2-92	Nut, Nylon Lock	2
EHU-2-21	Assembly, Hydraulic Pump	1	EHU-2-57	C-Ring	2	EHU-2-93	Screw, Phillips Head Machine	4
EHU-2-22	Washer, Flat	2	EHU-2-58	Dust Cover	2	EHU-2-94	Washer, Lock	4
EHU-2-23	Washer, Lock	2	EHU-2-59	Piston, Lift	2	EHU-2-95	Washer, Flat	4
EHU-2-24	Bolt, Hex Head	2	EHU-2-60	Assembly, Top Holder	2	EHU-2-96	Switch, Limit	1
EHU-2-25	Screw, Phillips Head Machine	2	EHU-2-61	Wheel, Side	4	EHU-2-97	Plate, Mounting	1
EHU-2-26	Washer, Lock	2	EHU-2-62	Wheel, Center	2	EHU-2-98	Screw, Phillips Head Machine	2
EHU-2-27	Assembly, Raise / Lower Button	1	EHU-2-63	Spring Pin	1	EHU-2-99	Washer, Lock	2
EHU-2-28	Weldment, Switch	1	EHU-2-64	Pin, Top	2	EHU-2-100	Washer, Flat	2
EHU-2-29	Screw, Phillips Head Machine	2	EHU-2-65	Scissors	2	EHU-2-101	Frame	1
EHU-2-30	Washer, Flat	2	EHU-2-66	Pin, Link	2	EHU-2-102	Cord, Power	1
EHU-2-31	Washer, Lock	2	EHU-2-67	Washer, Flat	2	EHU-2-103	Wire, Handle	1
EHU-2-32	Box, Junction	1	EHU-2-68	Washer, Nylon	2	EHU-2-104	Wire, Switch	1
EHU-2-33	Cover, Power Assembly	1	EHU-2-69	Nut, Nylon Lock	2	EHU-2-105	Wire, Control Switch	1
EHU-2-34	Washer, Flat	3	EHU-2-70	Scissors	2	EHU-2-106	Wire, Power	1
EHU-2-35	Washer, Lock	3	EHU-2-71	Roller, Guide	2			
EHU-2-36	Screw, Phillips Head Machine	3	EHU-2-72	Shaft, Guide Roller	2			

EHU-3 ELECTRIC LIFT TABLE PARTS LIST

Part #	Description	Qty.	Part #	Description	Qty.	Part #	Description	Qty.
EHU-3-1	Deck	1	EHU-3-37	Bracket	1	EHU-3-73	Spring Pin	4
EHU-3-2	Guard, Toe	8	EHU-3-38	Washer, Flat	2	EHU-3-74	Roller, Guide	2
EHU-3-3	Corner	8	EHU-3-39	Washer, Lock	2	EHU-3-75	Ring, Retaining	2
EHU-3-4	Screw, Philips Head Machine	2	EHU-3-40	Bolt, Hex Head	2	EHU-3-76	Bolts, Eye	3
EHU-3-5	Washer	2	EHU-3-41	Bolt, Hex Head	2	EHU-3-77	Roller, Guide	3
EHU-3-6	Washer, Flat	2	EHU-3-42	Washer, Lock	2	EHU-3-78	Spring Pin	3
EHU-3-7	Washer, Lock	2	EHU-3-43	Washer, Flat	2	EHU-3-79	Shaft	3
EHU-3-8	Nut, Nylon Lock	2	EHU-3-44	Big Washer	2	EHU-3-80	Connector, Threaded	1
EHU-3-9	Wiring	1	EHU-3-45	Bearing	2	EHU-3-81	Hose, Oil	1
EHU-3-10	Screw, Phillips Head Machine	24	EHU-3-46	Connector, Threaded	2	EHU-3-82	Fitting, Threaded	2
EHU-3-11	Washer, Flat	24	EHU-3-47	Washer	4	EHU-3-83	Connector, Threaded	4
EHU-3-12	Washer, Lock	24	EHU-3-48	Valve, Velocity	2	EHU-3-84	Pipe, Oil - Steel	1
EHU-3-13	Switch, Limit	6	EHU-3-49	Cylinder	2	EHU-3-85	Fitting, Threaded	1
EHU-3-14	Washer	8	EHU-3-50	Oil Seal	2	EHU-3-86	O-Ring	1
EHU-3-15	Washer, Flat	8	EHU-3-51	Piston	2	EHU-3-87	Pipe, Oil - Steel	1
EHU-3-16	Washer, Spring	8	EHU-3-52	C-Ring	2	EHU-3-88	Spacer, Nylon	2
EHU-3-17	Bolt, Hex Head	8	EHU-3-53	O-Ring	2	EHU-3-89	Bolt, Hex Head	2
EHU-3-18	Hose, Oil	1	EHU-3-54	O-Ring	2	EHU-3-90	Washer, Flat	2
EHU-3-19	O-Ring	1	EHU-3-55	Top Nut	2	EHU-3-91	Washer, Lock	2
EHU-3-20	Connector, Threaded	1	EHU-3-56	Steel Washer	2	EHU-3-92	Nut, Nylon Lock	2
EHU-3-21	Assembly, Hydraulic Pump	1	EHU-3-57	C-Ring	2	EHU-3-93	Screw, Phillips Head Machine	4
EHU-3-22	Washer, Flat	2	EHU-3-58	Dust Cover	2	EHU-3-94	Washer, Lock	4
EHU-3-23	Washer, Lock	2	EHU-3-59	Piston, Lift	2	EHU-3-95	Washer, Flat	4
EHU-3-24	Bolt, Hex Head	2	EHU-3-60	Assembly, Top Holder	2	EHU-3-96	Switch, Limit	1
EHU-3-25	Screw, Phillips Head Machine	2	EHU-3-61	Wheel, Side	4	EHU-3-97	Plate, Mounting	1
EHU-3-26	Washer, Lock	2	EHU-3-62	Wheel, Center	2	EHU-3-98	Screw, Phillips Head Machine	2
EHU-3-27	Assembly, Raise / Lower Button	1	EHU-3-63	Spring Pin	1	EHU-3-99	Washer, Lock	2
EHU-3-28	Weldment, Switch	1	EHU-3-64	Pin, Top	2	EHU-3-100	Washer, Flat	2
EHU-3-29	Screw, Phillips Head Machine	2	EHU-3-65	Scissors	2	EHU-3-101	Frame	1
EHU-3-30	Washer, Flat	2	EHU-3-66	Pin, Link	2	EHU-3-102	Cord, Power	1
EHU-3-31	Washer, Lock	2	EHU-3-67	Washer, Flat	2	EHU-3-103	Wire, Handle	1
EHU-3-32	Box, Junction	1	EHU-3-68	Washer, Nylon	2	EHU-3-104	Wire, Switch	1
EHU-3-33	Cover, Power Assembly	1	EHU-3-69	Nut, Nylon Lock	2	EHU-3-105	Wire, Control Switch	1
EHU-3-34	Washer, Flat	3	EHU-3-70	Scissors	2	EHU-2-106	Wire, Power	1
EHU-3-35	Washer, Lock	3	EHU-3-71	Roller, Guide	2			
EHU-3-36	Screw, Phillips Head Machine	3	EHU-3-72	Shaft, Guide Roller	2			